

**TAMEO Kits**  
scale racing car models

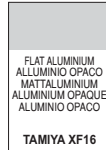


# TMK346 FERRARI F2004 BELGIAN G.P. 2003

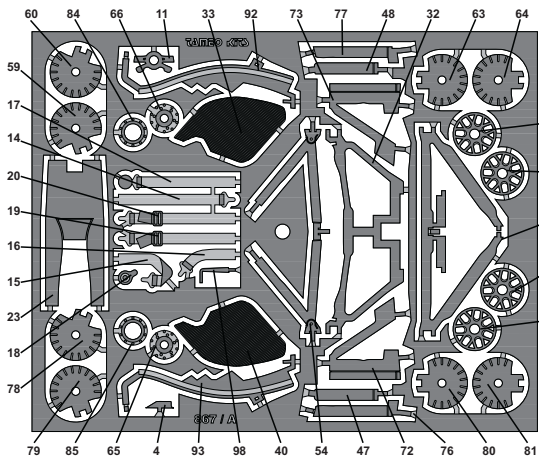
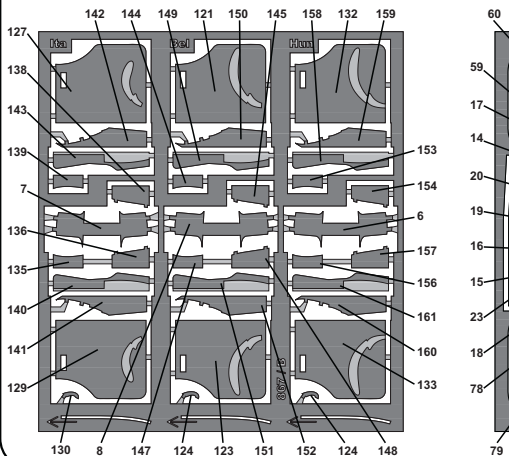
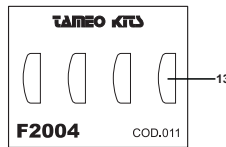
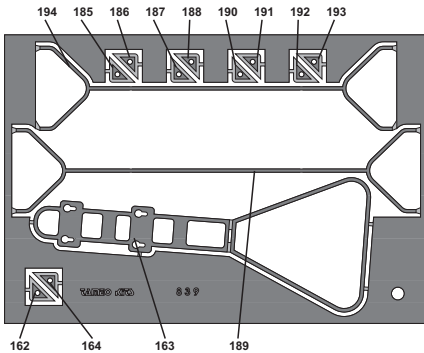
[www.tameokits.com](http://www.tameokits.com)



## Colour conversion - Conversione colori - Farbenumwandlung Conversion de couleurs - Cores convensionados



## Photoetched - Fotoincisioni - Fotogeazt Photogravures - Fotograbado



**Ferrari**

OFFICIAL LICENSED PRODUCT

Produced under license of Ferrari SpA.  
FERRARI, the PRANCING HORSE device, all associated logos and distinctive designs are trademarks of Ferrari SpA.  
The body designs of the Ferrari cars are protected as Ferrari property under design, trademark and trade dress regulations

Made in Italy. Modello per collezionisti in scala 1/43. Vietata la vendita ai minori di 14 anni. Nocivo per ingestione. Conservare fuori dalla portata dei bambini. Tameo Kits declina ogni responsabilità per un uso improprio del prodotto.

Made in Italy. Collector 1/43 Scale Models. Not for sale to persons under 14 years of age. Dangerous if swallowed. Keep out of reach of children. Tameo Kits not held responsible for any damage or injury resulting from improper use of the product.

Made in Italy. Modèle pour collectionneurs échelle 1/43. Vente interdite aux enfants de moins de 14 ans. Dangereux si avalé. Conserver hors de la portée des enfants. Tameo Kits décline toute responsabilité dans le cas de dommages dérivants de l'usage non approprié du produit.

Made in Italy. Sammlermodell im Massstab 1/43. Verkauf an Jugendliche unter 14 Jahren verboten. Schädlich bei Verschlucken. Tameo Kits lehnt jede Verantwortung bei unsachgemässer Benutzung des Produktes ab.

Hecho en Italia. Colección de modelos a escala 1/43. Prohibida la venta a menores de 14 años. No comestible. Mantener fuera del alcance de los niños. Tameo Kits no se hace responsable de los daños causados por el uso incorrecto de este producto.

**TAMEO KITS** srl

Via Valle, 111 - P.O. Box 61  
17022 BORGIO VEREZZI SV ITALY  
Tel. 39 019 - 615.250  
Fax. 39 019 - 615.310

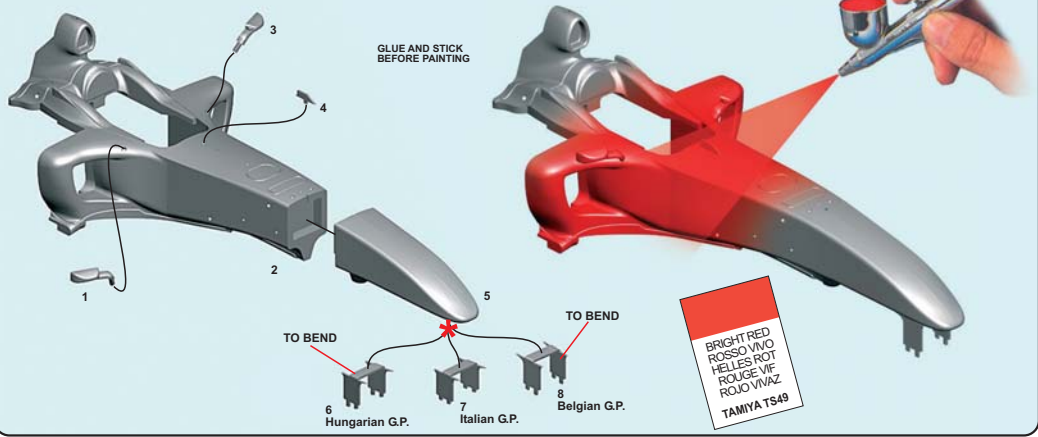
[www.tameokits.com](http://www.tameokits.com)

[sales@tameokits.com](mailto:sales@tameokits.com)

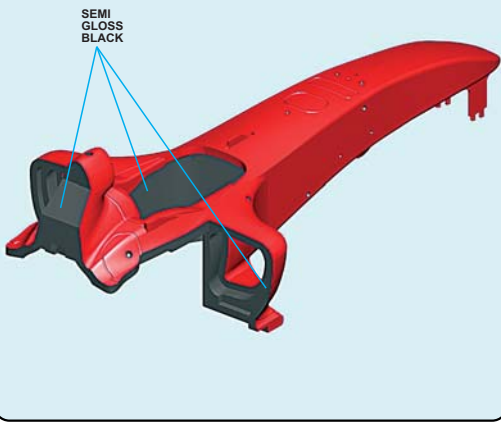
[technical@tameokits.com](mailto:technical@tameokits.com)

1

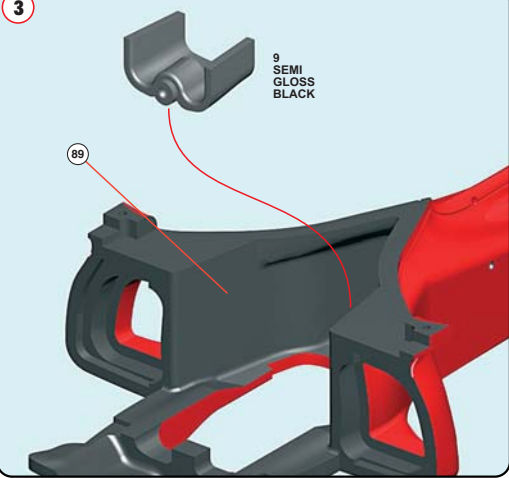
\* Choose your version before assembly the model



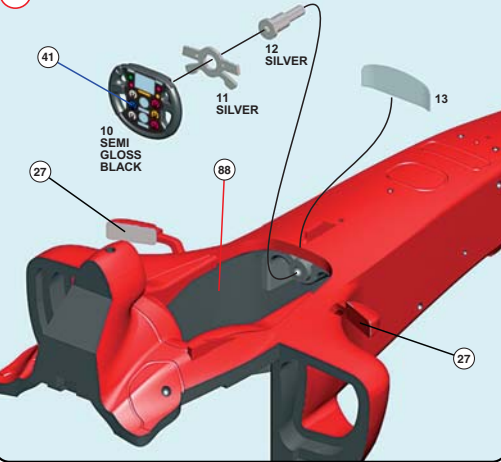
2



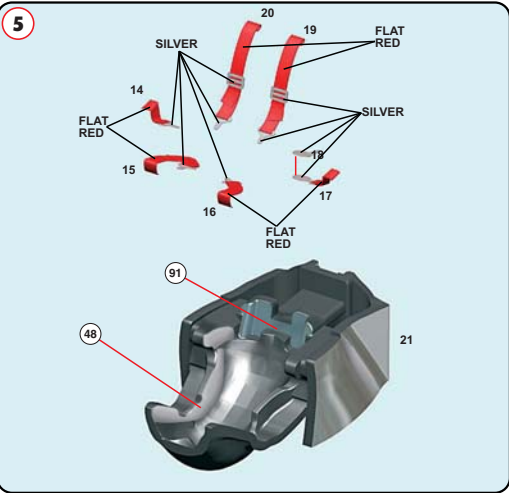
3

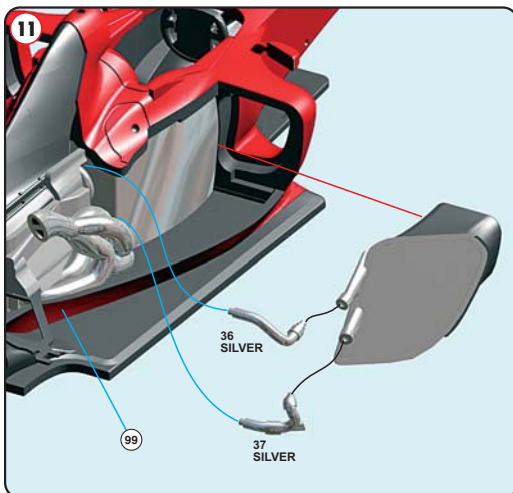
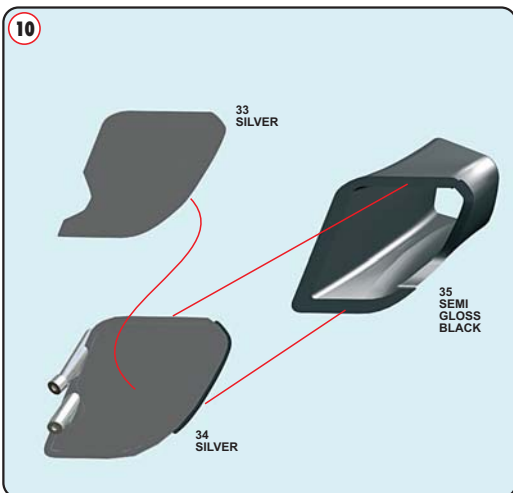
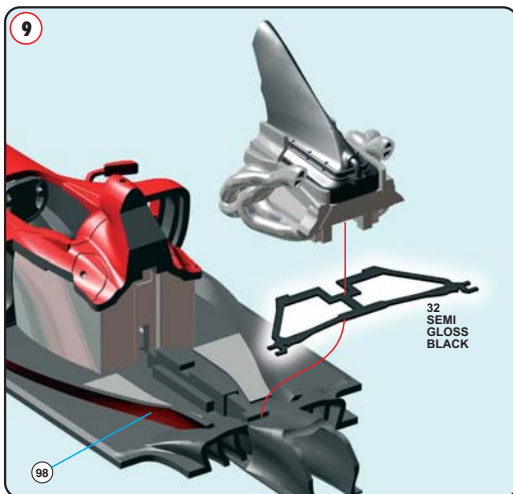
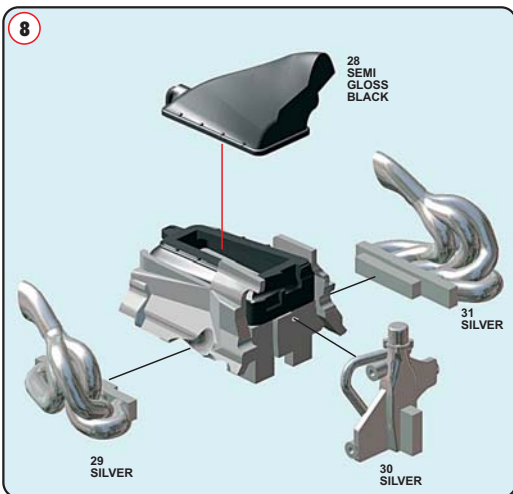
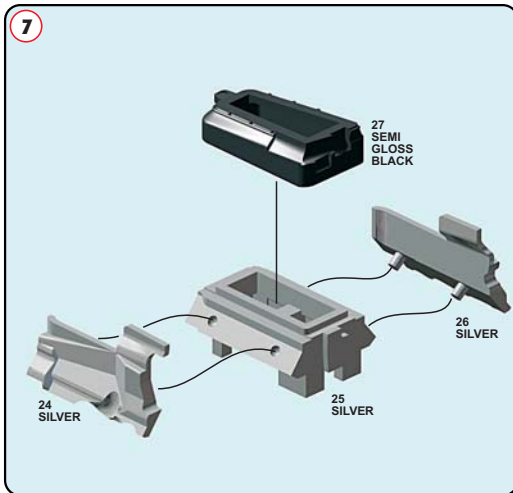
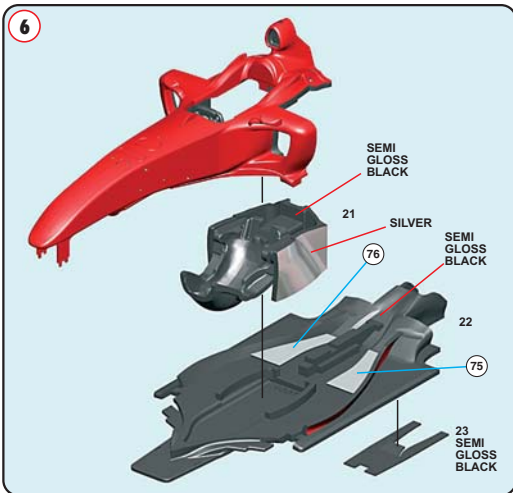


4

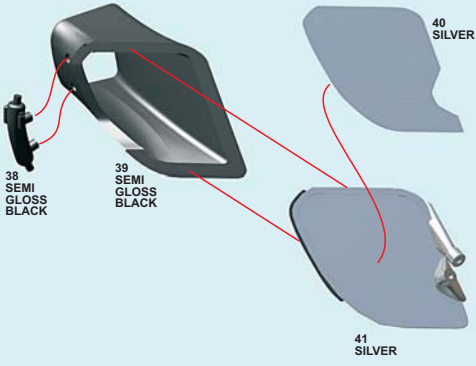


5

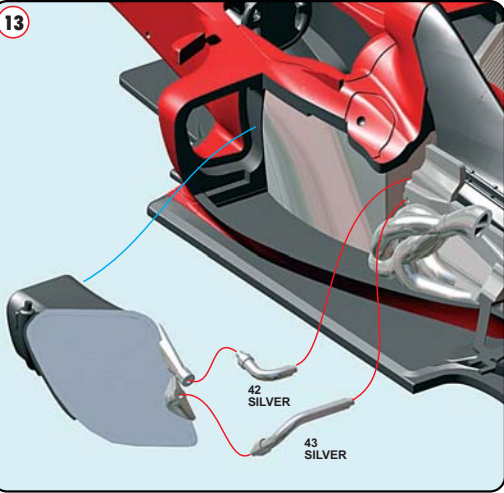




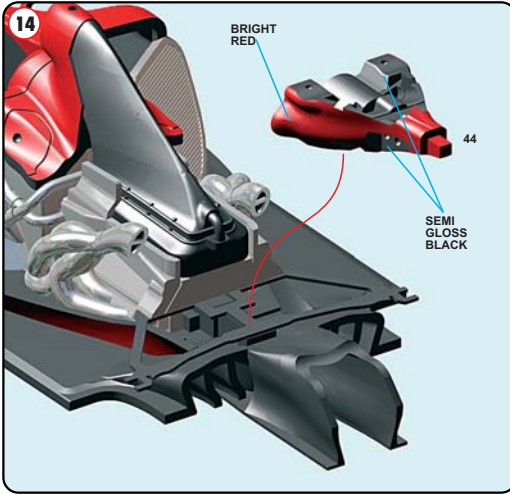
12



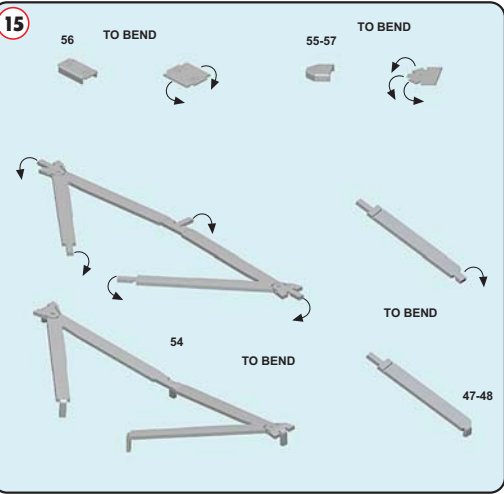
13



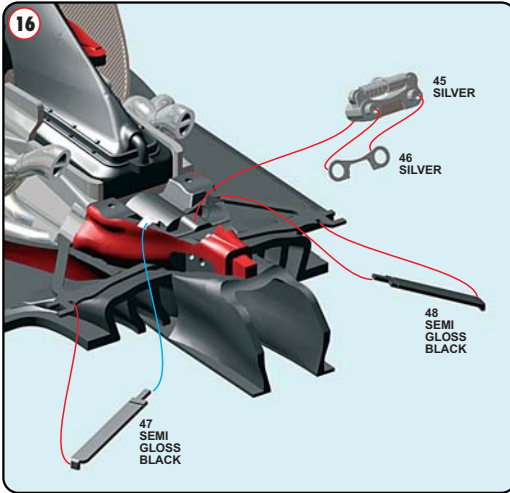
14



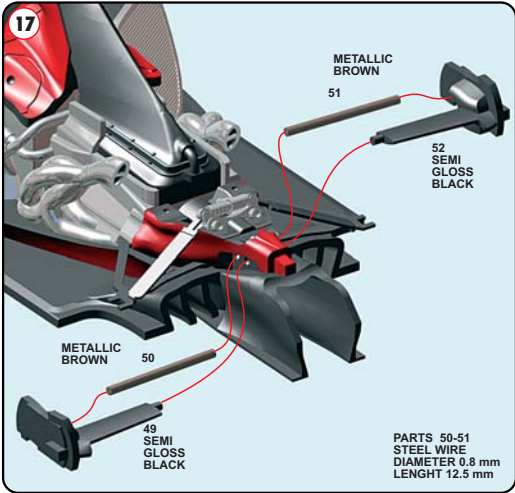
15

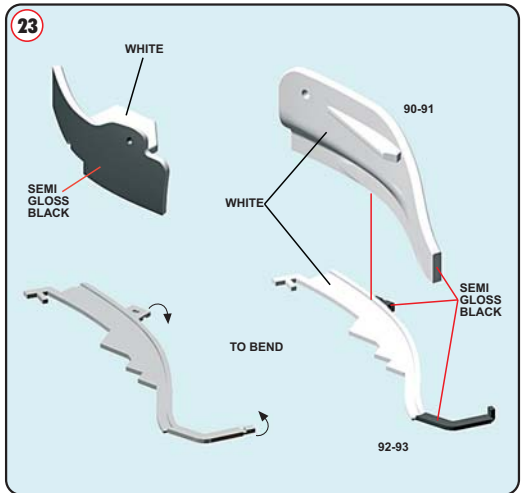
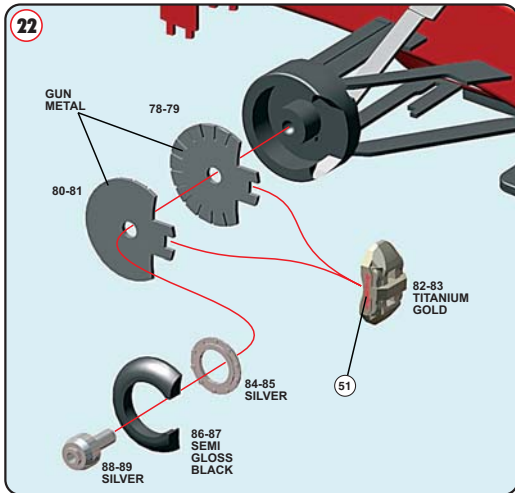
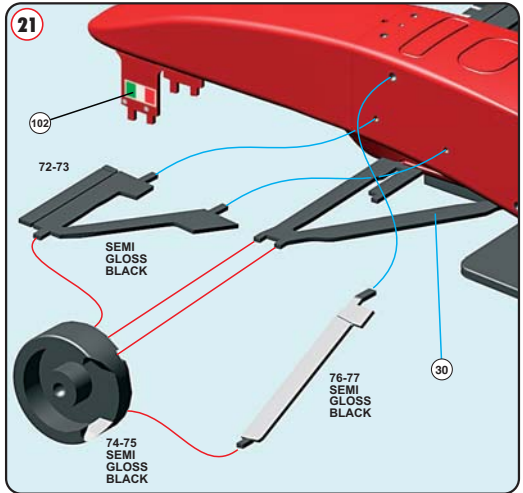
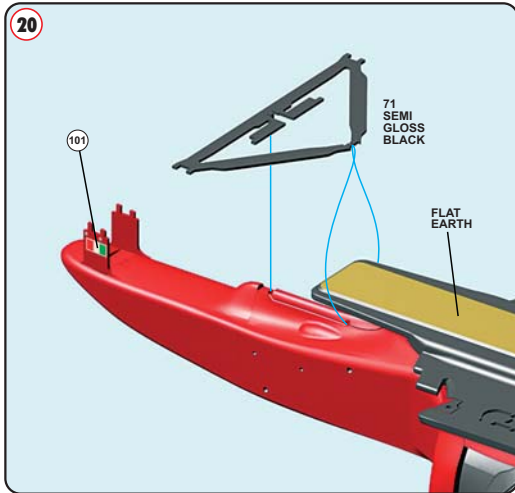
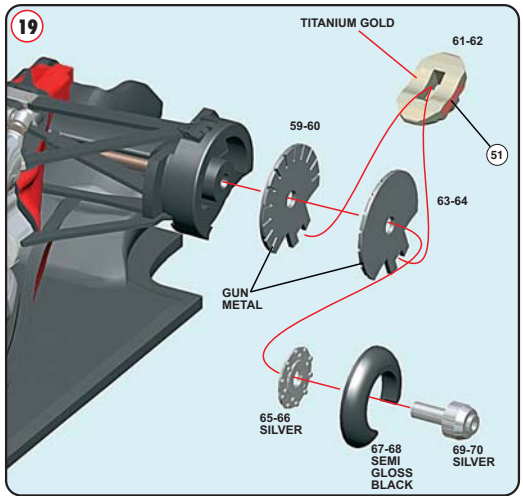
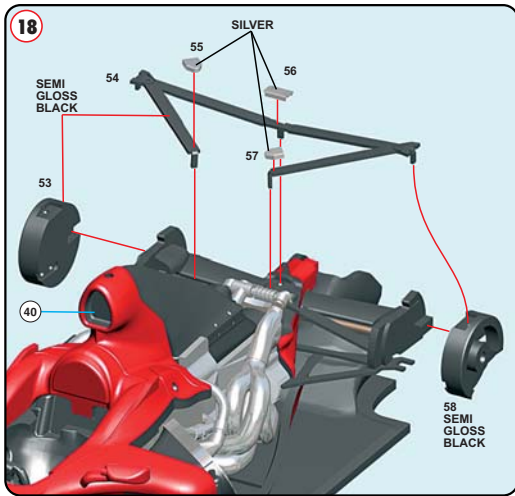


16

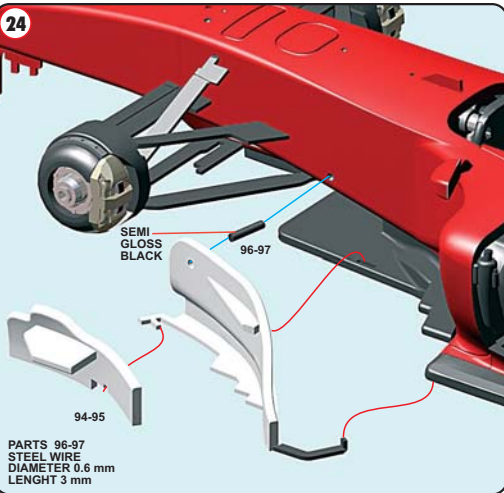


17

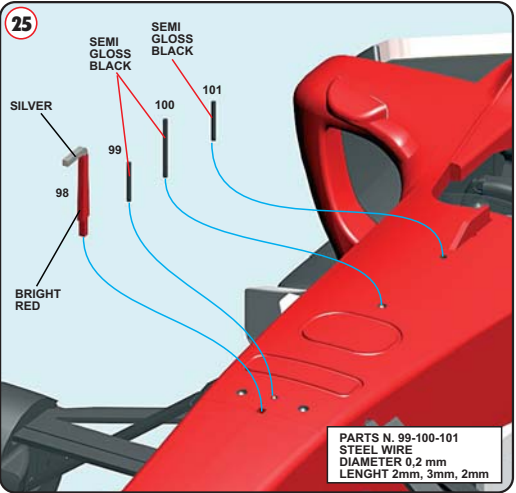




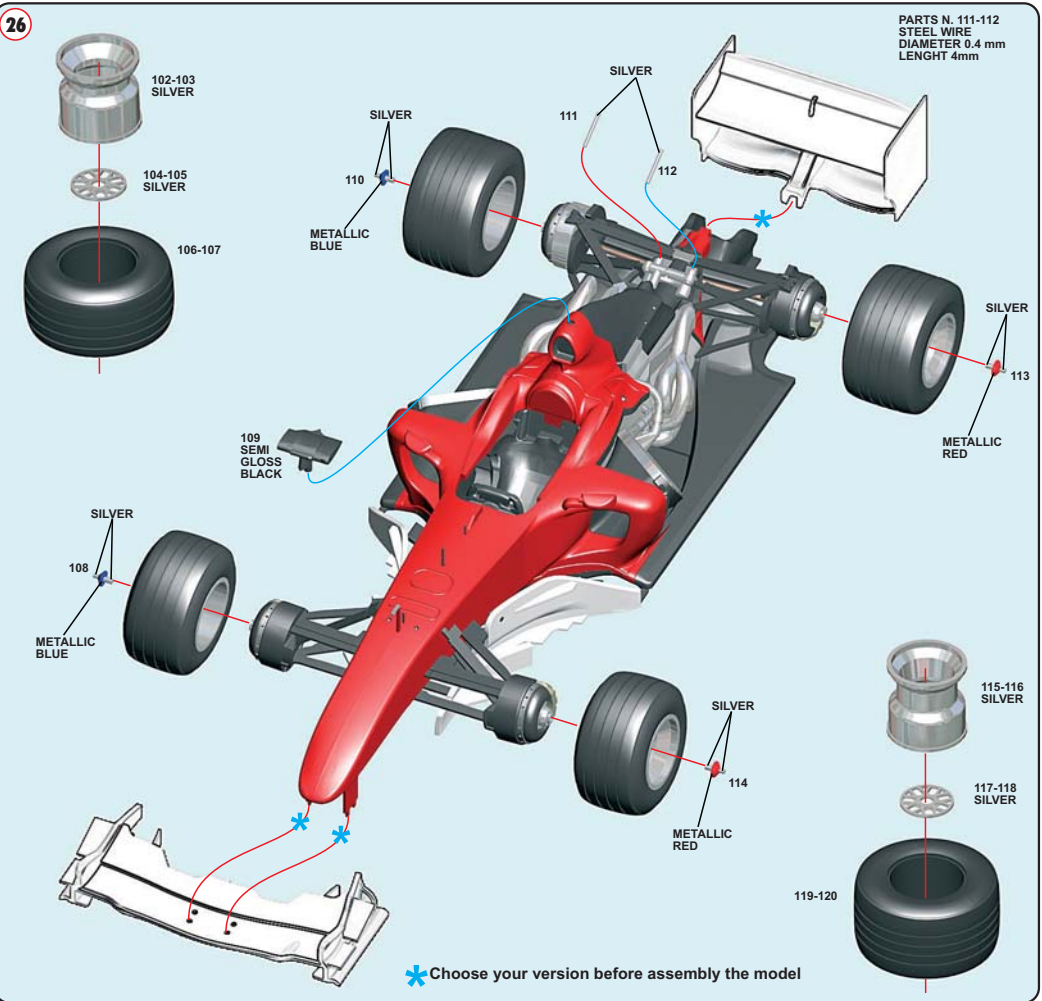
24



25



26



# TMK 346 FERRARI F2004 BELGIAN G.P. 2004



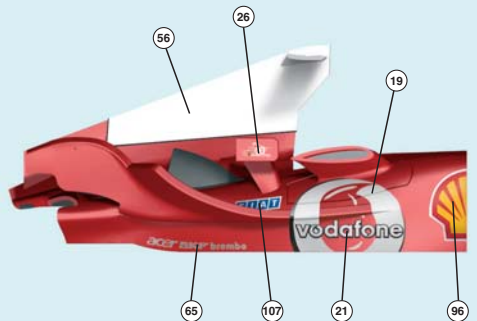
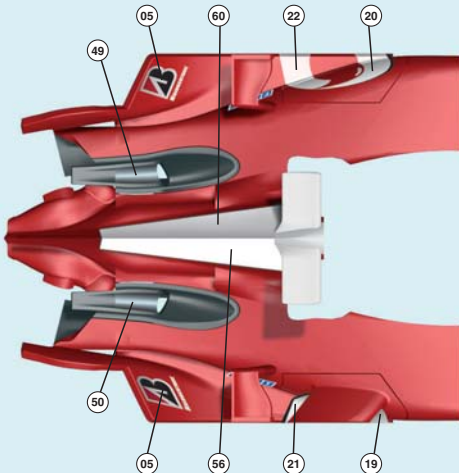
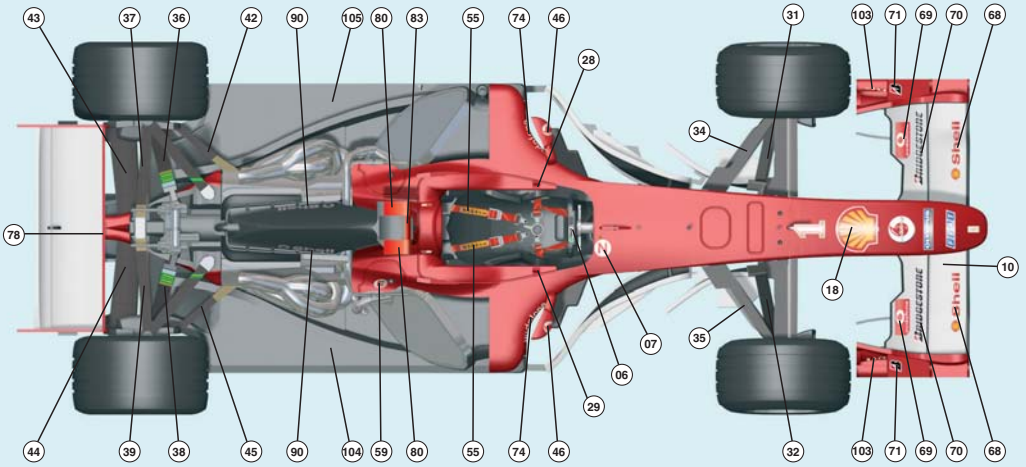
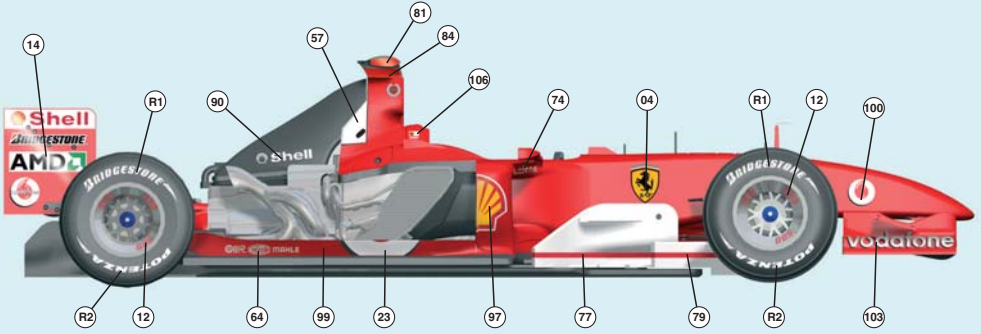
1 - M. Schumacher

2nd

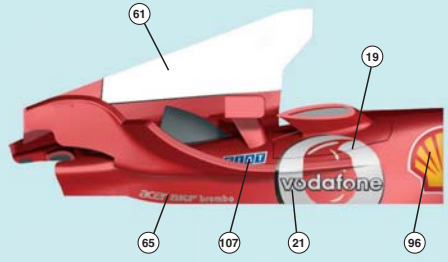
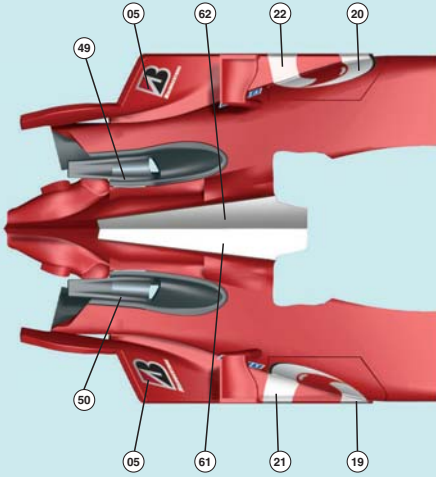


2 - R. Barrichello



3rd

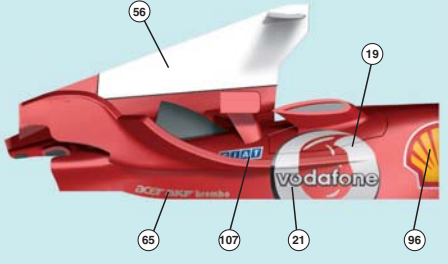
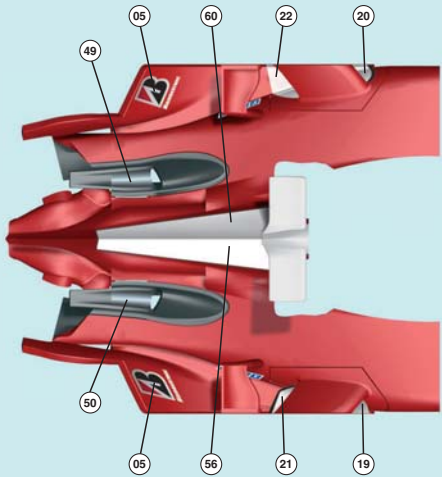
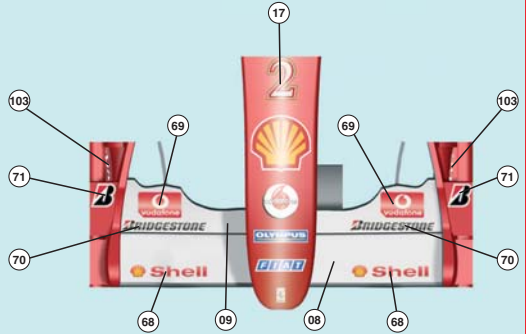








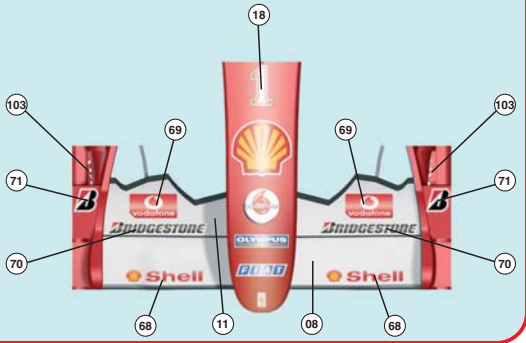
## ITALIAN G.P. 2004

-  1 - M. Schumacher 2nd
-  2 - R. Barrichello 1st

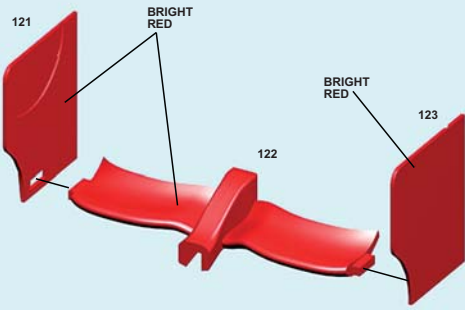


## HUNGARIAN G.P. 2004

-  1 - M. Schumacher 1st
-  2 - R. Barrichello 2nd

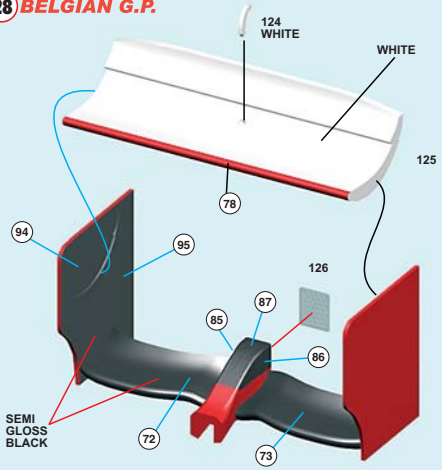


**27 BELGIAN G.P.**



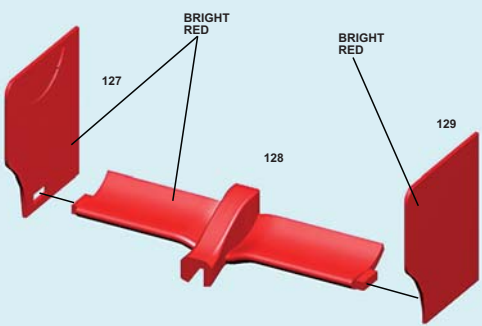
GLUE AND STICK BEFORE PAINTING

**28 BELGIAN G.P.**



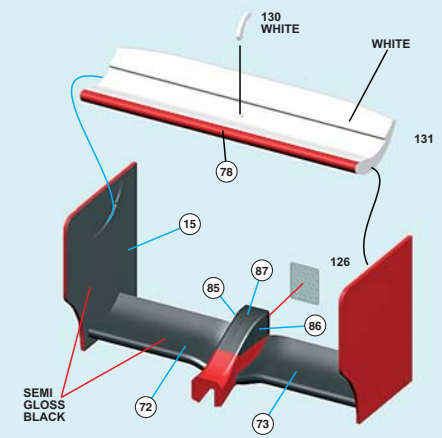
SEMI GLOSS BLACK

**29 ITALIAN G.P.**



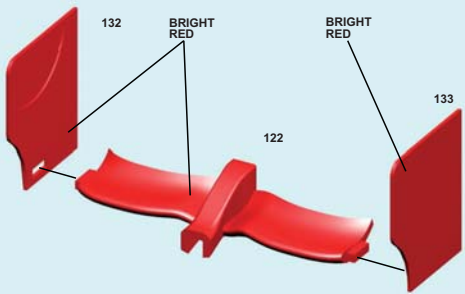
GLUE AND STICK BEFORE PAINTING

**30 ITALIAN G.P.**



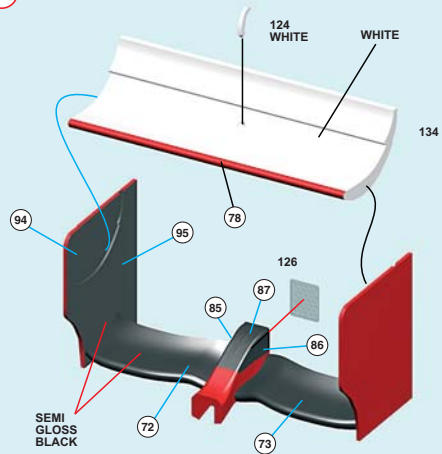
SEMI GLOSS BLACK

**31 HUNGARIAN G.P.**



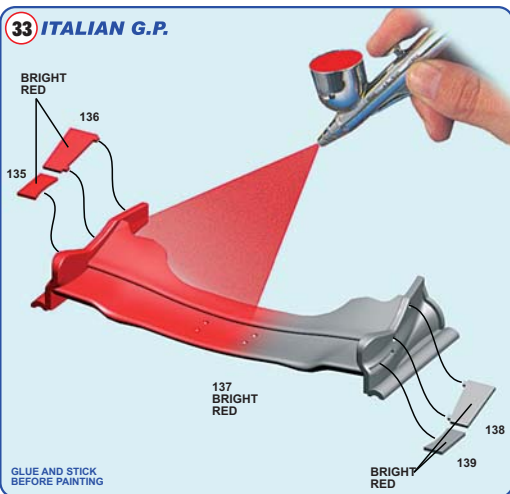
GLUE AND STICK BEFORE PAINTING

**32 HUNGARIAN G.P.**

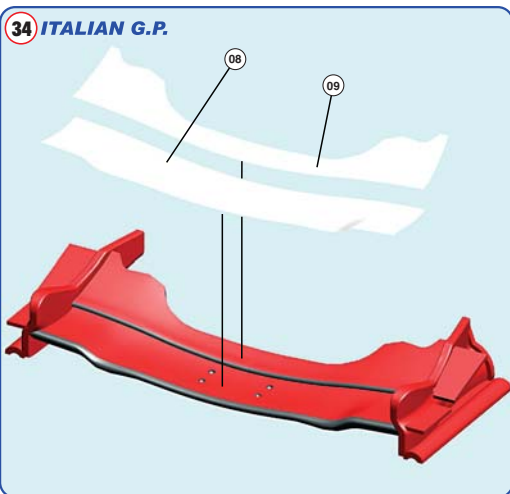


SEMI GLOSS BLACK

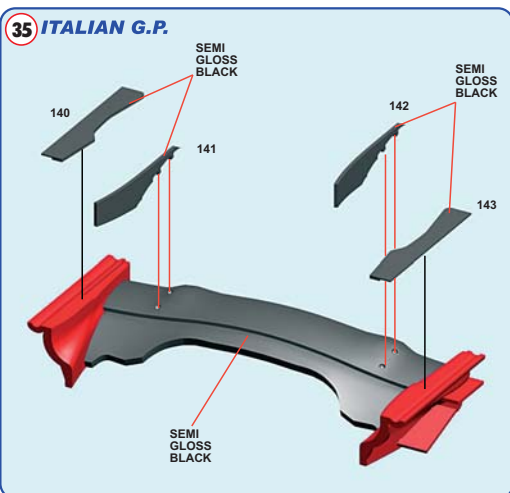
**33 ITALIAN G.P.**



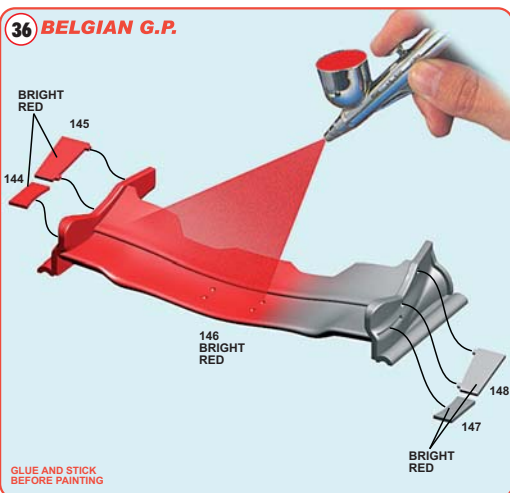
**34 ITALIAN G.P.**



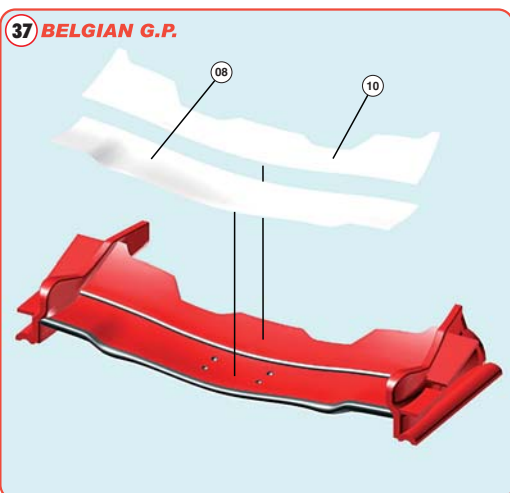
**35 ITALIAN G.P.**



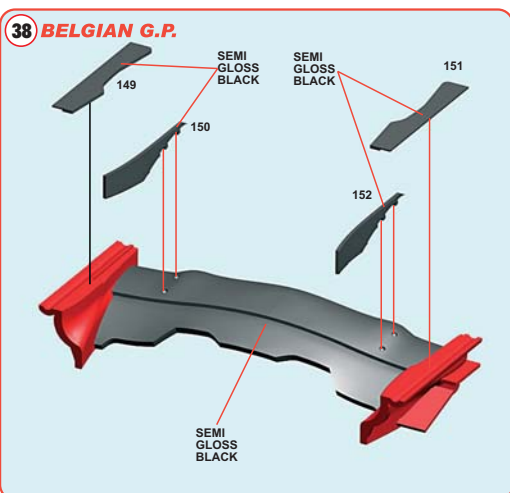
**36 BELGIAN G.P.**



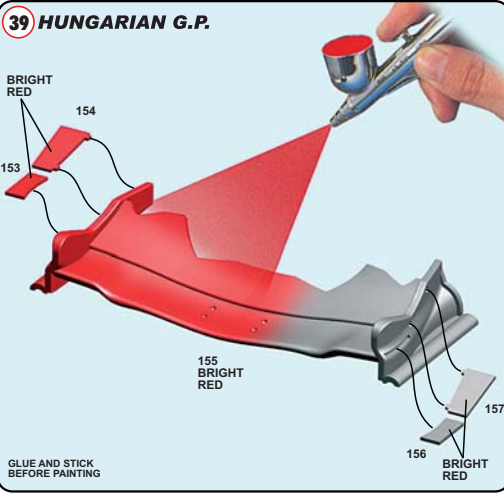
**37 BELGIAN G.P.**



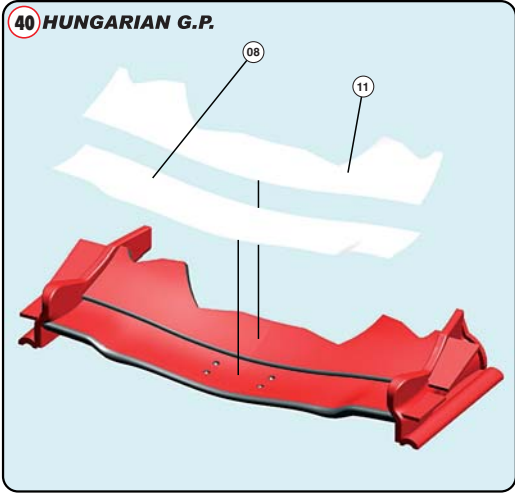
**38 BELGIAN G.P.**



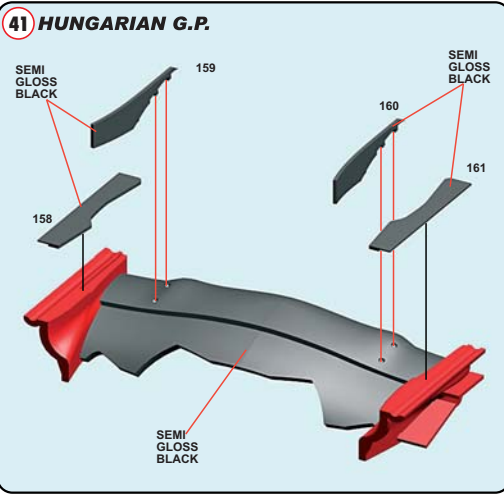
**39 HUNGARIAN G.P.**



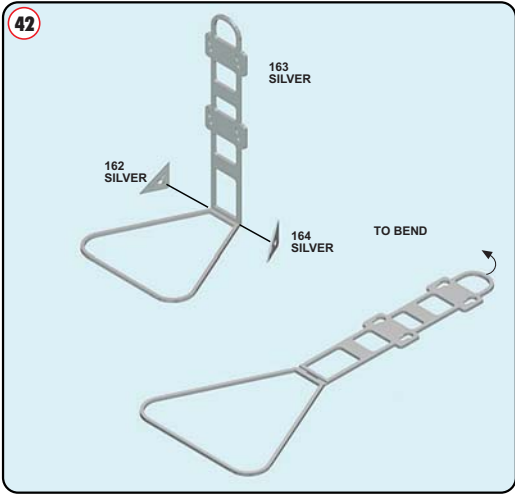
**40 HUNGARIAN G.P.**



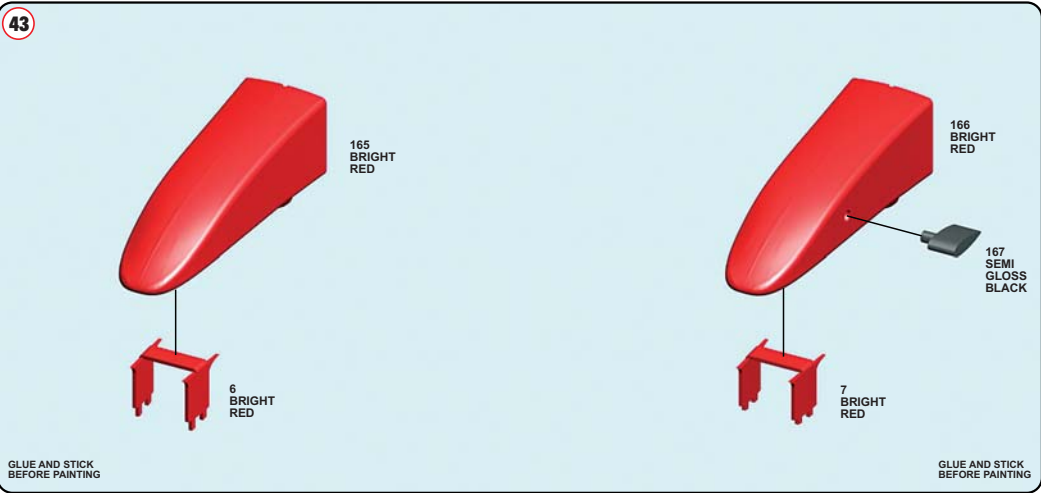
**41 HUNGARIAN G.P.**



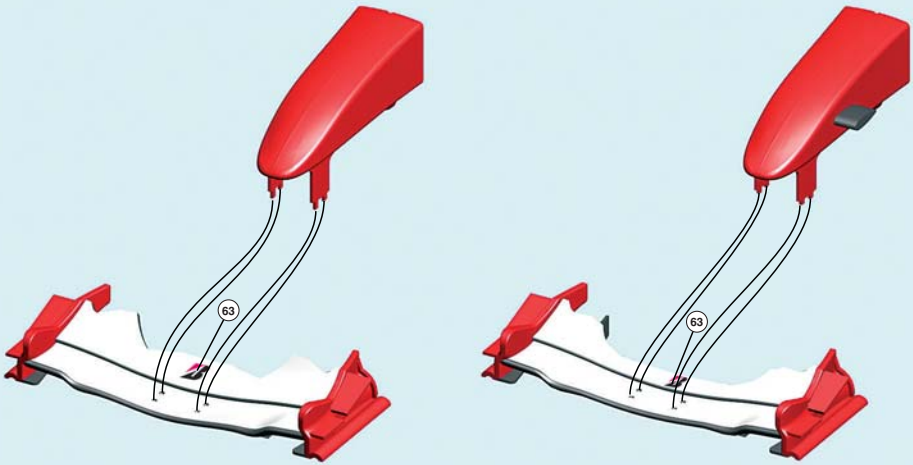
**42**



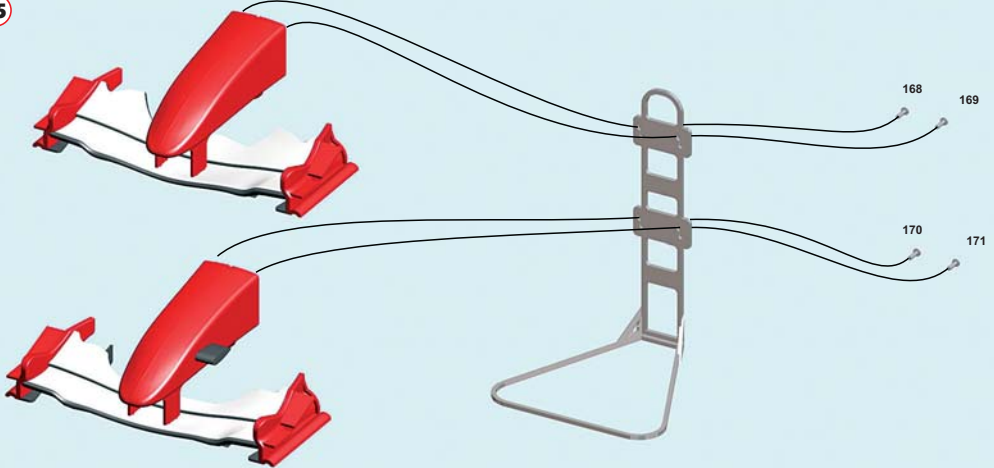
**43**



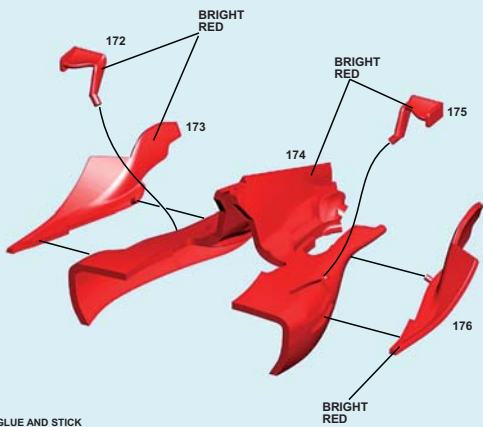
44



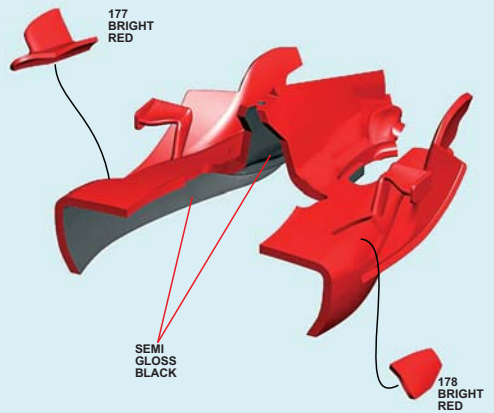
45



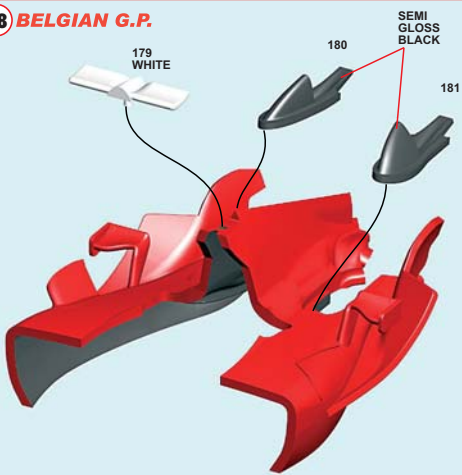
46



GLUE AND STICK BEFORE PAINTING

47 **BELGIAN G.P.**

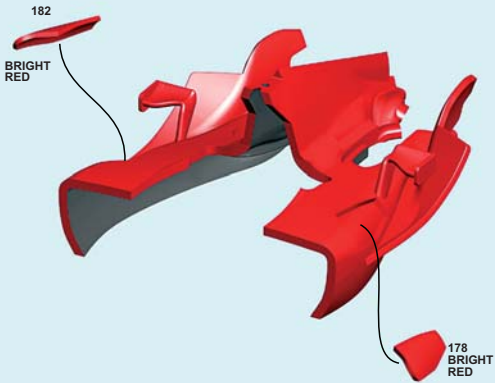
**48 BELGIAN G.P.**



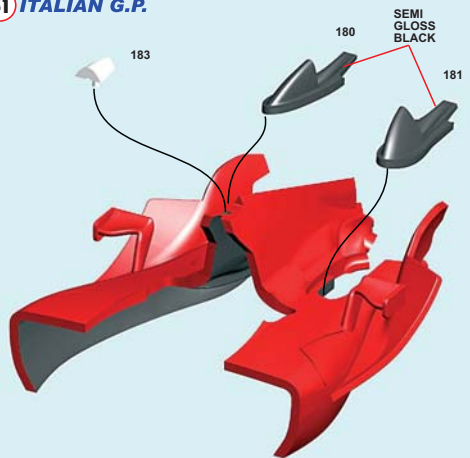
**49 BELGIAN G.P.**



**50 ITALIAN G.P.**



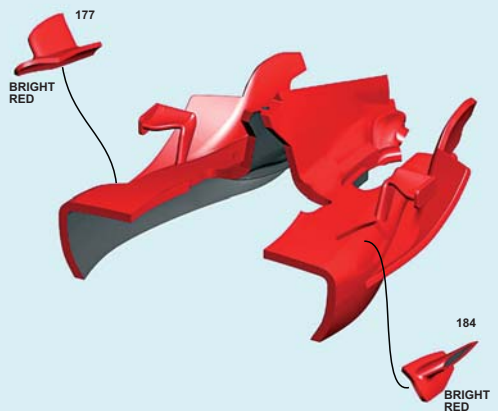
**51 ITALIAN G.P.**



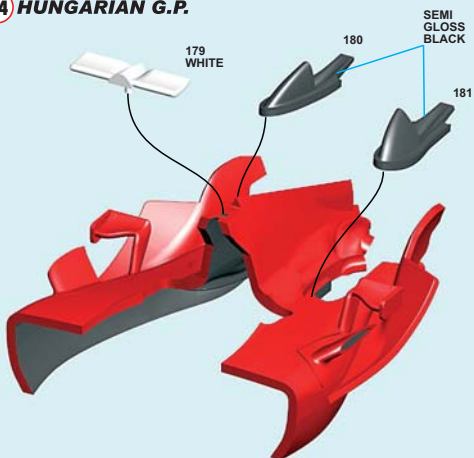
**52 ITALIAN G.P.**



**53 HUNGARIAN G.P.**



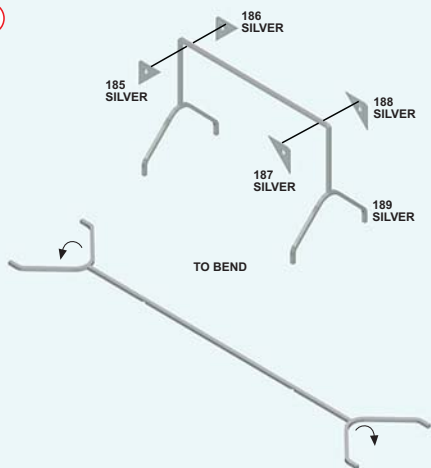
**54 HUNGARIAN G.P.**



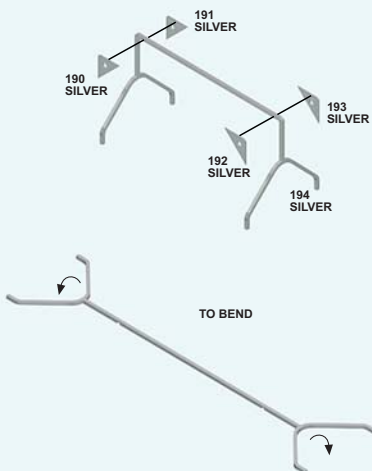
**55 HUNGARIAN G.P.**



**56**

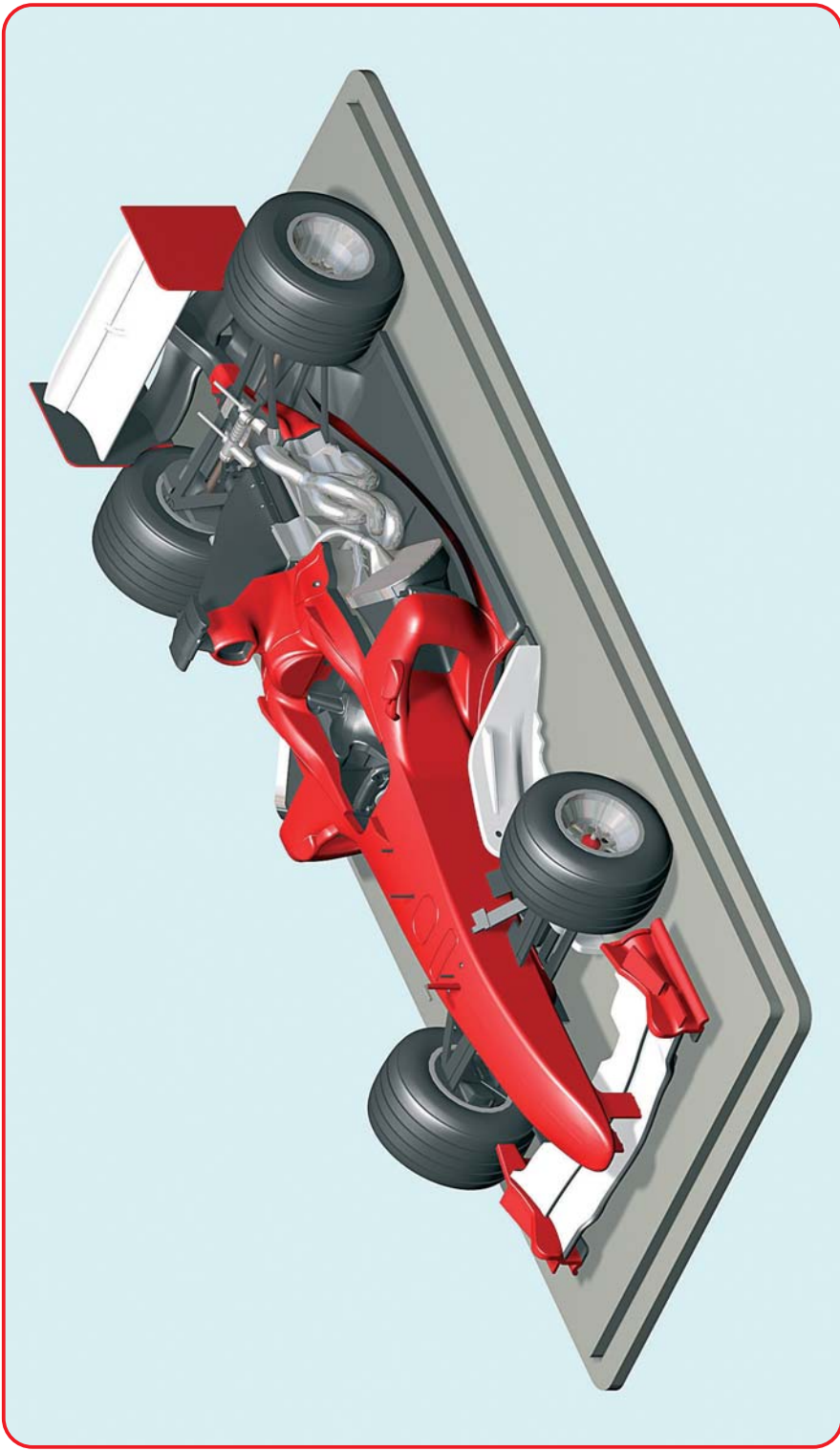


**57**



**58**





**PARTS**  
 PEZZI  
 STÜCKE  
 PIÈCE  
 PIEZAS

**STEEL WIRE**  
 FILO D' ACCIAIO  
 STAHLDRAHT  
 FIL ACIER  
 ALAMBRE D'ACERO

**LENGHT**  
 LUNGHEZZA  
 LAENGE  
 LONGUEUR  
 LARGO

**DIAMETER**  
 DURCHMESSER  
 DIAMETRE  
 DIAMETRO

**TO BEND**  
 PIEGARE  
 BIEGEN  
 PPLIER  
 DOBLAR

**GLUE AND STICK BEFORE PAINTING**  
 INCOLLARE E STUCCARE PRIMA DELLA VERNICIATURA  
 VOR DER LACKIERUNG VERKLEBEN UND VERSPACHTELN  
 COLLER ET MASTIQUER AVANT DE VERNIR  
 PEGAR Y ESTUCAR ANTES DE PINTAR

**CHOOSE YOUR VERSION BEFORE ASSEMBLY THE MODEL**  
 SCEGLIERE LA VERSIONE PRIMA DI INIZIARE IL MONTAGGIO  
 WAELHEN SIE DIE VERSION BEVOR SIE MIT DER MONTAGE BEGINNEN  
 CHOISISSEZ LA VERSION AVANT DE COMMENCER L'ASSEMBLAGE  
 ELIJA LA VERSION ANTES DE COMENZAR EL ENSAMBLAJE